



**CHEER SYSTEM
INTERNATIONAL
(THAILAND) LTD.**

150 MOO 14 DANANGA THAM RD. KM.10
BANGKOK 10110 THAILAND
TEL.0-2750-3143-9 FAX. 0-2750-1757

PROJECT:

OWNER :

ARCH:

ENGINEER:

DRAW BY: KOBCHAI

ITEM :

STANDARD
COLD ROOM

DETAIL 1-3

DATE: 13 Feb 04

SCALE : NTS.0A3

CHECKED: DESMOND

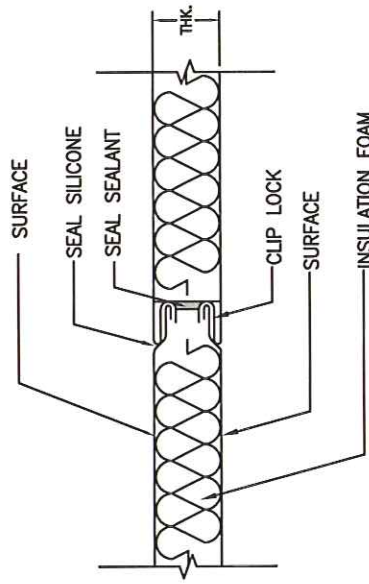
APP.

REV.

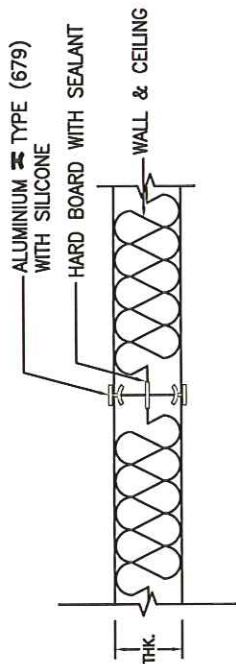
DWG. NO.

C.-----

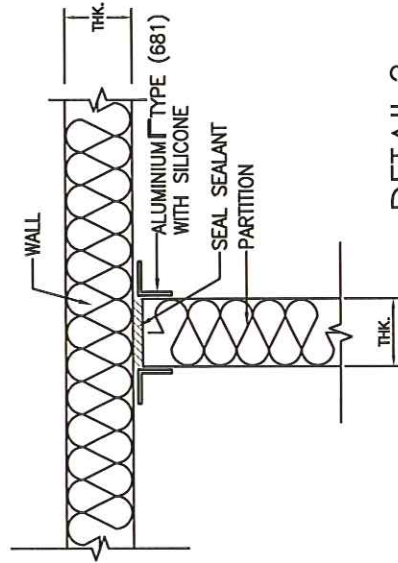
PAGE NO.



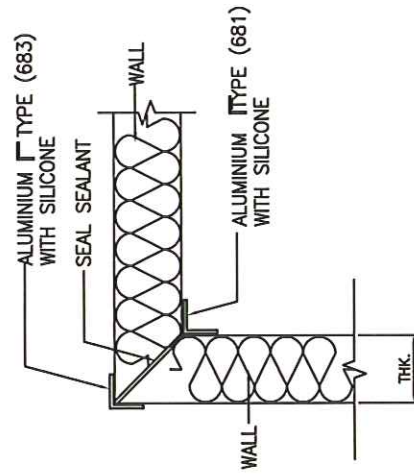
DETAIL CLIP LOCK JOINT PANEL



DETAIL 1.1



DETAIL 3



DETAIL 2



**CHEER SYSTEM
INTERNATIONAL
(THAILAND) LTD.**

15/3 MOO 14 DANIGIATRAO RD. KALAO
DANGRIE SUBMUTPOMKON 10560
TEL:02-7363140-5 FAX: 02-7361175

PROJECT:

OWNER :

ARCH:

ENGINEER:

DRAW BY: KOBCHAI

ITEM :

STANDARD
COLD ROOM
DETAIL 4-7

DATE: 13 Feb 04

SCALE : NTS.0A3

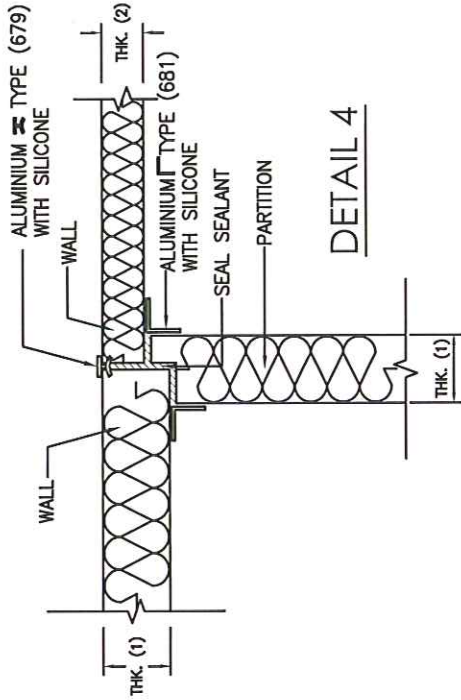
CHECKED: DESMOND

APP.

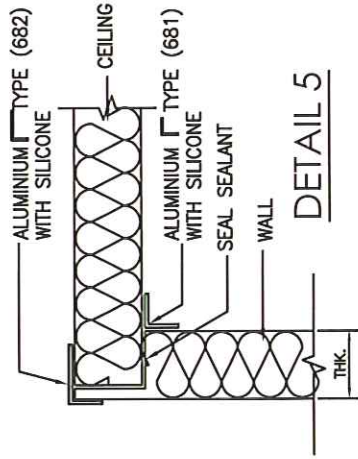
REV.

DWG. NO.

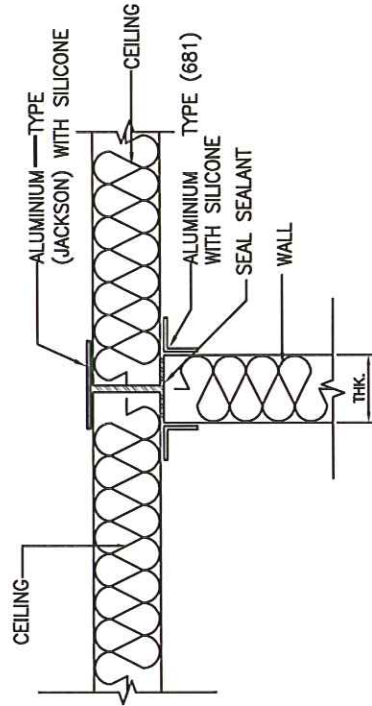
C-----
PAGE NO.



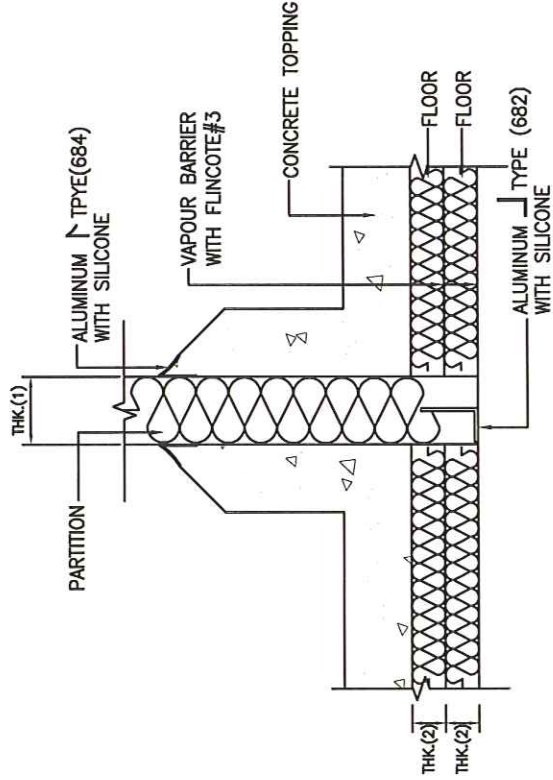
DETAIL 4



DETAIL 5



DETAIL 6



DETAIL 7



**CHEER SYSTEM
INTERNATIONAL
(THAILAND) LTD.**

15/3 NICO 14 BANGKHA TRAD RD. PHALU
BANGKHAZEE 58MUTTHAYANAN 10260
TEL.0 2750 31142-3 FAX. 0 2750 1752

PROJECT:

OWNER :

ARCH:

ENGINEER:

DRAW BY: KOBCHAI

ITEM :

STANDARD
COLD ROOM
DETAIL 12-13

DATE: 13 Feb 04

SCALE : NTS.0A3

CHECKED: DESMOND

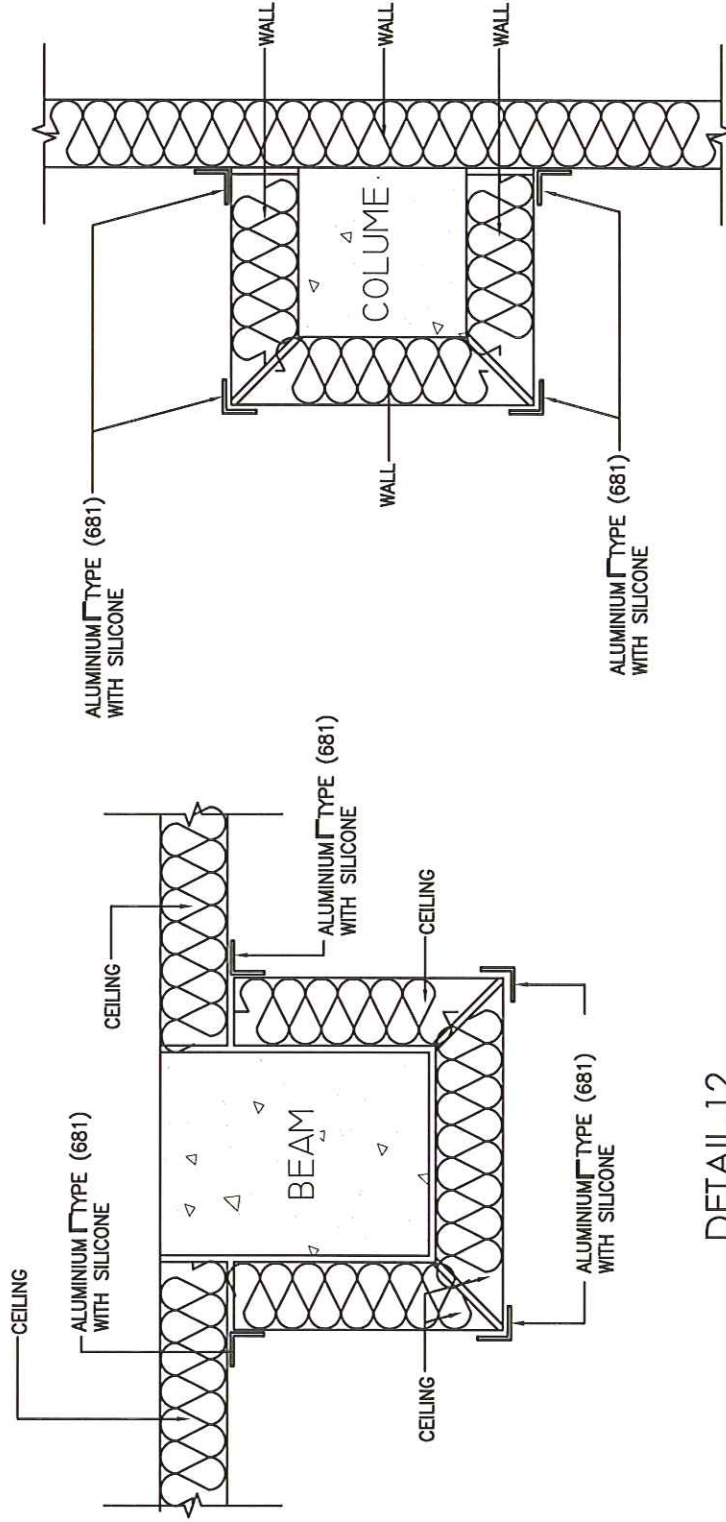
APP.

REV.

DWG. NO.

C.-----

PAGE NO.



DETAIL 12

DETAIL 13



**CHEER SYSTEM
INTERNATIONAL
(THAILAND) LTD.**

1503 MOO 14 BANGKHA TMSO RD. KM.10
BANGKHA TMSO DISTRICT
BANGKOK 10540 THAILAND
TEL.02-2750-3143-9 FAX. 0-2750-1752

PROJECT:

OWNER :

ARCH:

ENGINEER:

DRAW BY: KOBCHAI

ITEM :

STANDARD
COLD ROOM

DETAIL 8-10

DATE: 13 Feb 04

SCALE : NTS.0A3

CHECKED: DESMOND

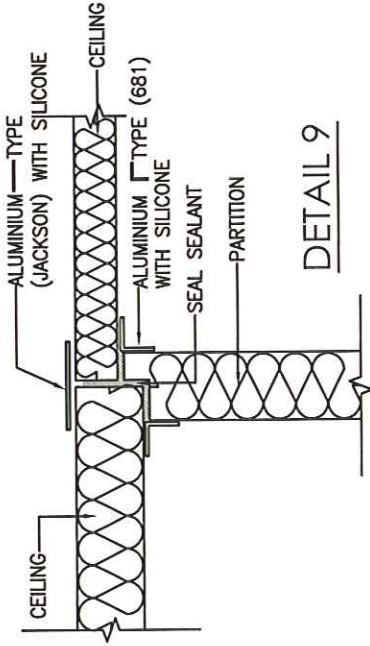
APP.

REV.

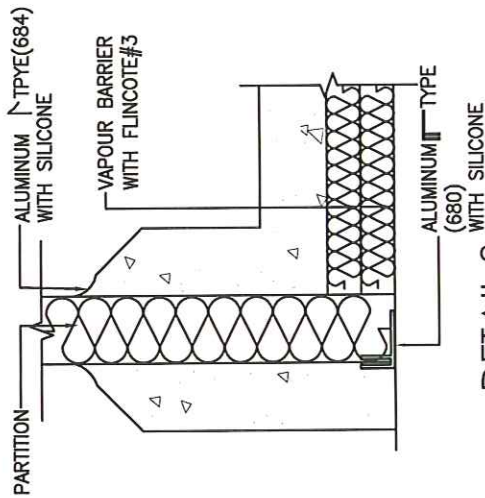
DWG. NO.

C_-----

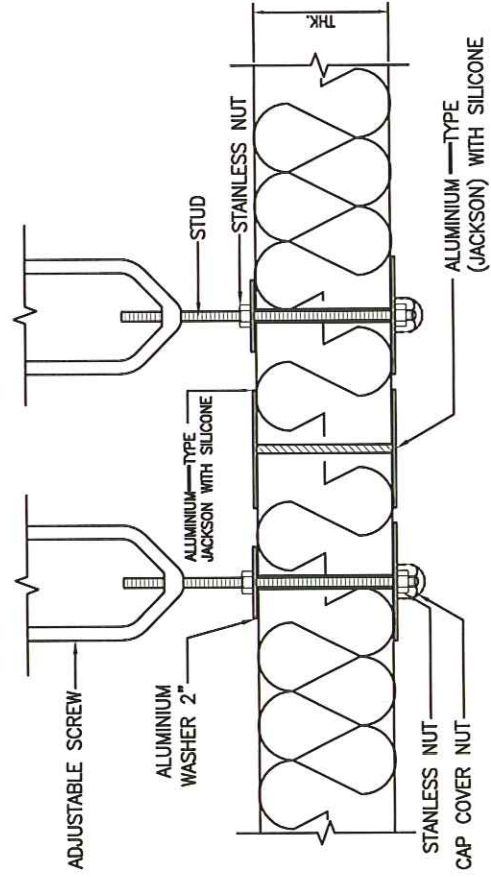
PAGE NO.



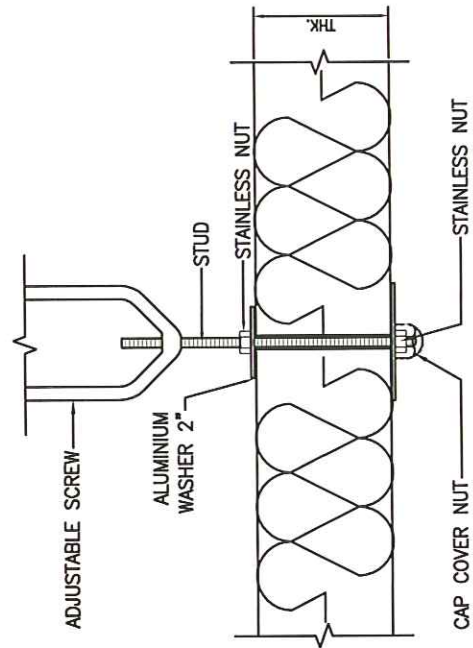
DETAIL 9



DETAIL 8



DETAIL 11



DETAIL 10